



## Equipment & Technology Catalogue 2022

Niesenglass Switzerland GmbH  
Eichzün 4, 3800 Unterseen, Interlaken, Schweiz

Email: [info@niesenglass.ch](mailto:info@niesenglass.ch)  
Phone: [+41 33 654 30 00](tel:+41336543000)

[www.niesenglass.ch](http://www.niesenglass.ch)

# About

Niesenglass Switzerland GmbH is a glass manufacturing company founded by Maximilian Schlott and Jan Vyskocil. In May 2019 we opened our new workshop in Unterseen, near Interlaken, Switzerland.

We offer a range of tools and equipment for the production of hot glass, from furnaces to wooden tools. Glass producers ourselves we work hard to find solutions that are tailored to the hot glass sector and represent great value and quality.

Whether you are upgrading, fitting out a new studio or building an educational facility, we are ready to help you on your hot glass journey.

## Installation, Service and Maintenance

Niesenglass offer a full installation, service and maintenance package with their equipment to ensure that your studio is running safely and efficiently.

## Consultation

If you need help deciding what combination of equipment is right for your requirements Niesenglass can offer consultation and advice on the best solutions for your hot glass needs.

All prices are exclusive of tax and delivery.

All Furnaces and glass equipment are safe according to EU directives 2001/95 / EC and 2006/42 EC. Electrical standards EN 60204-1 and gas safety requirements EN 746-2.

# Hot Glass Furnaces

Niesenglass' NG40 Furnace comes in a number of different configurations:  
Spare Pots – 380€ | El. Preheating set 250€



## NG40 Exclusive Automat

Volume: 35kgs glass  
Fuel: Propane  
Pressure: 50 mmbar  
Gas consumption: 1-3kgs Propane per hour

Annealer: NO  
Flame Detection: YES  
Flame Ignition: YES  
Temperature control: YES  
Control panel: YES

Price 12.500€

## NG40 Exclusive

Volume: 35kgs glass  
Fuel: Propane  
Pressure: 50 mmbar  
Gas consumption: 1-3kgs Propane per hour  
Voltage: 230 V, 50 Hz

Annealer: NO  
Flame Detection: YES  
Flame Ignition: YES  
Temperature control: NO  
Control panel: YES

Price 11.000€

## NG40 Basic

Volume: 35kgs glass  
Fuel: Propane  
Pressure: 50 mmbar  
Gas consumption: 1-3kgs Propane per hour  
Voltage: 230 V, 50 Hz

Annealer: NO  
Flame Detection: NO  
Flame Ignition: NO  
Temperature control: NO  
Control panel: NO

Price 9.000€



## NG40 Exclusive Automat Cooling

Volume: 35kgs glass  
Fuel: Propane  
Pressure: 50 mmbar  
Gas consumption: 1-3kgs Propane per hour  
Voltage: 230 V, 50 Hz

Annealer: YES  
Flame Detection: YES  
Flame Ignition: YES  
Temperature control: YES  
Control panel: YES

Price 14.450€

## NG40 Exclusive Cooling

Volume: 35kgs glass  
Fuel: Propane  
Pressure: 50 mmbar  
Gas consumption: 1-3kgs Propane per hour  
Voltage: 230 V, 50 Hz

Annealer: YES  
Flame Detection: YES  
Flame Ignition: YES  
Temperature control: NO  
Control panel: YES

Price 12.890€

## NG40 Basic Cooling

Volume: 35kgs glass  
Fuel: Propane  
Pressure: 50 mmbar  
Gas consumption: 1-3kgs Propane per hour  
Voltage: 230 V, 50 Hz

Annealer: YES  
Flame Detection: NO  
Flame Ignition: NO  
Temperature control: NO  
Control panel: NO

Price 10.890€

# Hot Glass Furnaces



## NG 120 Electron

NG120 Electron is a studio pot glass furnace. With its robust construction it is excellently suited to daily glass production. It is capable of melting raw glass or shards of the highest quality. The body of the glass furnace is built in a steel frames and is delivered as one piece. The second part of the furnace is a transformer station with a furnace control panel. Clay or silica pots can be used in the oven. The furnace has a collection room for waste glass underneath. Custom made to order. Controller is operational via web enabled application.

Technical data NG120 E glass furnace:

Power:48kW Consumption:500kW / 24hr  
Source of heat:9x Super Kantal 1700  
Source of power:3x trafo / 3 phase  
Pot size:60x40 (optional)  
Dimension:180x180x220cm  
Weight:3,5t  
Gathering hole diameter:25cm (optional)  
Electronic control: Yes

NG120 Electron: 65.000€

*Additional accessories*

*Pipe holder: 300€  
Automatic door opening sys: 3.890€  
Preheating set for NG120 Natural gas serie: 4.500€*



## NG 120

Natural Gas Solution also available:

NG 120 AR (Automat, Recuperation) is studio pot glass furnace. With it's robust construction is predestined for daily glass production. Melting raw glass or shards is possible. Clay or silica pots can be used in the furnace. The glass furnace is built in a steel frame and is delivered as one piece. The furnace has a collection room for wasted glass underneath. Hot air recuperation system safes 10% from gas consumption. Important notice! To start the furnace you need a preheating set which is not included in the delivery.

NG120 Basic: 29.000€

NG120 Automat: 34.000€

NG120 Automat + Air recuperation (saves 10% gas): 39.500€

# Hot Glass Furnaces



## Continuous belt cooling oven

Cooling belt utilises waste heat from glass furnace with support of small electrical voltage of 240V  
Temp. controller: YES  
Dimensions: 23 x 23 x 300 cm

Prices:

Version - manual moving belt 8.600€

Version - el. Engine, speed regulation moving belt 11.200€

# Burner Systems

All burner systems are custom made to your specific requirements the below table is a price guide. Final price will be dependent on your build design.

## Exclusive burner system with control panel

NG_E90 up to 90Kw	5950€
NG_E200 up to 200Kw	6950€
NG_E300 up to 300Kw	7550€

## Basic burner system without control panel

NG_B90 up to 90Kw	2650€
NG_B200 up to 200Kw	3550€
NG_B300 up to 300Kw	4100€

**SUMMARY HEATINGS FOR FURNACES**

POWER FROM 40kW TO 300kW

1st OFFER:

**BASIC HEATING**

- BURNER WITH REFRACTORY BRICK
- BASIC HEATING PIPE
- FAN
- ELECTRIC SWITCH

2nd OFFER:

**EXCLUSIVE HEATING**

- BURNER WITH REFRACTORY BRICK
- UV DETECTOR
- ELECTRONIC IGNITION
- EXCLUSIVE HEATING PIPE
- FAN
- TWO PRESSURE SWITCH (AIR, GAS)
- SIMPLE ELECTRIC PANEL

3rd OFFER:

**EXCLUSIVE HEATING WITH AUTOMATIC REGULATION**

- BURNER WITH REFRACTORY BRICK
- UV DETECTOR
- ELECTRONIC IGNITION
- EXCLUSIVE HEATING PIPE
- FAN
- TWO PRESSURE SWITCH (AIR, GAS)
- THERMOCOUPLE
- ELECTRIC PANEL WITH CONTROLLER

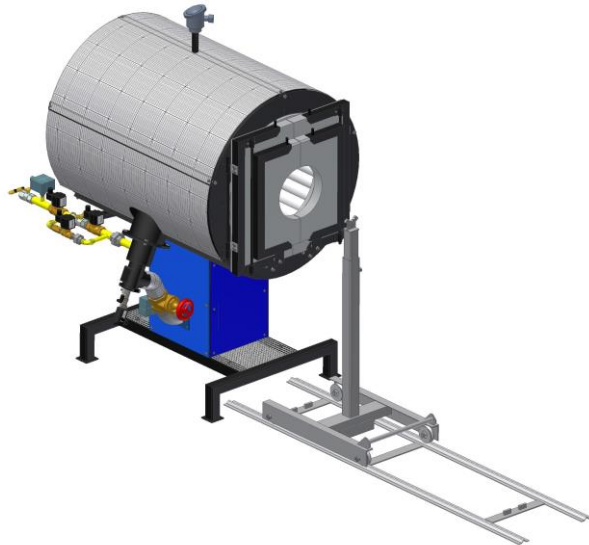
# Glory Holes



## Small glory hole NG 150

Fuel: Natural gas or Propane  
Manual Temperature Control  
Control panel: NO  
w 250 x d 200 x h 150 mm

Price: 3.500€



## Glory hole NG 350 E

Fuel: Natural gas or Propane  
Temperature control: YES  
Control panel: YES  
Safety shutoff valves: YES  
Depth of camber: 65cm  
Maximum Diameter of opening: 30cm  
Diameter of opening in two doors:  
18cm & 26cm (option to customise)

Price: 12.000 €

## Glory hole NG 450 E

Fuel: Natural gas or Propane  
Temperature control: YES  
Control panel: YES  
Safety shutoff valves: YES  
Depth of camber: 65cm  
Maximum Diameter of opening: 30cm  
Diameter of opening in two doors: 18cm & 26cm  
(option to customise)

Price: 13.500€



## Hot Shop Accessories



**PickUp oven NG30**

Inside dimension:  
300 (W) x 300 (D) x 280 (H) mm  
Power: 3 kW  
Temperature up to 600°C  
Temperature controller

Price: 3.300€



**NG800 Annealer**

Custom made to order.  
Price on request.



**Pipe heater NG50**

Opening: 500  
(W) x 100 (H) mm  
External dimension:  
750 (W) x 400  
(D) x 1050 (H) mm  
Linear burner  
Fuel:  
Natural gas or propa  
n

Price: 2.500€



**Glassblowing Bench**

1.350€

**Niesenglass can also build custom fusing ovens.  
Please enquire directly.**

## Hot Shop Accessories



### Garage NG900

Inside dimension:

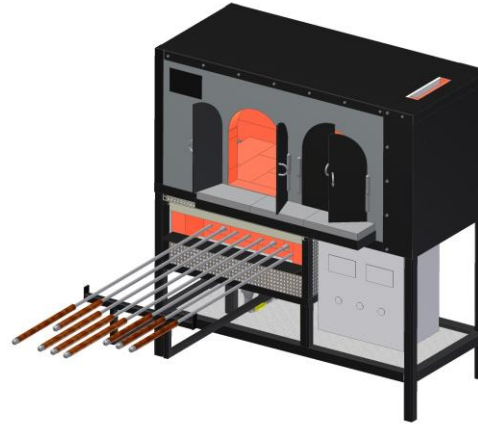
900 (W) x 400 (D) x 430 (H) mm

Two doors: 250 (W) x 350 (H) mm

Fuel: natural gas or propan

Safety shutoff valves: YES

Price: 8.600€

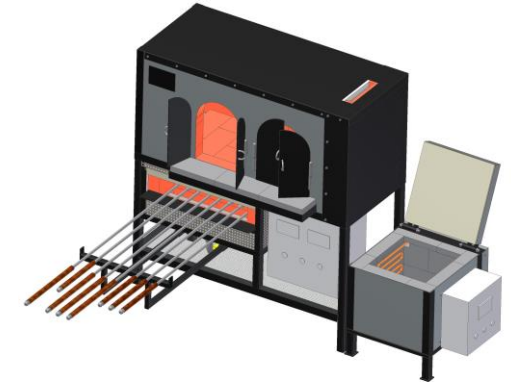


### Kombo I

Garage NG900 +

Pipe heater NG50

Price: 10.000€



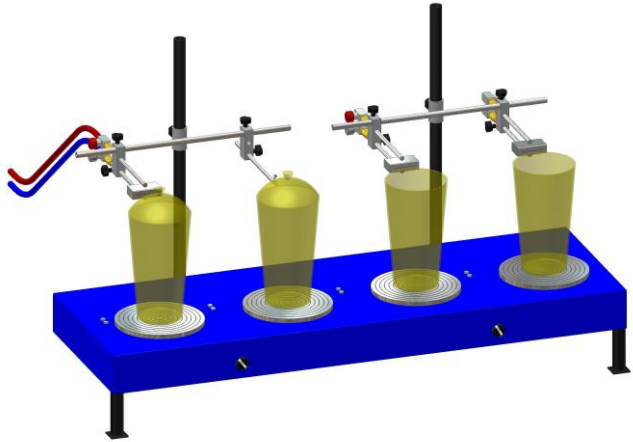
### Kombo II

Garage NG900 +

Pipe heater NG50 + PickUp

Price: 12.500€

## Other Tools & Equipment



Crack Off machine  
Fire polishing machine

Custom crack off machine,  
available with/without fire  
polishing function; 2 wheels and  
4 wheels version available.

Prices on request



Wooden Tools

Niesenglas offers a range of  
wooden tools made from  
Beech and Pear wood. These  
include:

- Moulds
- Blocks
- Paddles
- Foot Tools etc.





Niesenglass Switzerland GmbH  
Eichzun 4, 3800 Unterseen, Interlaken, Schweiz

Email: [info@niesenglass.ch](mailto:info@niesenglass.ch)  
Phone: [+41 33 654 30 00](tel:+41336543000)

[www.niesenglass.ch](http://www.niesenglass.ch)