



Equipment & Technology Catalogue 2021

Niesenglass Switzerland GmbH
Eichzün 4, 3800 Unterseen, Interlaken, Schweiz

Email: info@niesenglass.ch
Phone: [+41 33 654 30 00](tel:+41336543000)

www.niesenglass.ch

About

Niesenglass Switzerland GmbH is a glass manufacturing company founded by Maximilian Schlott and Jan Vyskocil. In May 2019 we opened our new workshop in Unterseen, near Interlaken, Switzerland.

We offer a range of tools and equipment for the production of hot glass, from furnaces to wooden tools. Glass producers ourselves we work hard to find solutions that are tailored to the hot glass sector and represent great value and quality.

Whether you are upgrading, fitting out a new studio or building an educational facility, we are ready to help you on your hot glass journey.

Installation, Service and Maintenance

Niesenglass offer a full installation, service and maintenance package with their equipment to ensure that your studio is running safely and efficiently.

Consultation

If you need help deciding what combination of equipment is right for your requirements Niesenglass can offer consultation and advice on the best solutions for your hot glass needs.

All prices are exclusive of tax and delivery.

All Furnaces and glass equipment are safe according to EU directives 2001/95 / EC and 2006/42 EC. Electrical standards EN 60204-1 and gas safety requirements EN 746-2.

Hot Glass Furnaces

Niesenglass' NG40 Furnace comes in a number of different configurations:



NG40 Exclusive Automat

Volume: 35kgs glass
 Fuel: Propane
 Pressure: 50 mmbar
 Gas consumption: 1-3kgs Propane per hour

Annealer: NO
 Flame Detection: YES
 Flame Ignition: YES
 Temperature control: YES
 Control panel: YES

Price 13.850€

NG40 Exclusive

Volume: 35kgs glass
 Fuel: Propane
 Pressure: 50 mmbar
 Gas consumption: 1-3kgs Propane per hour
 Voltage: 230 V, 50 Hz

Annealer: NO
 Flame Detection: YES
 Flame Ignition: YES
 Temperature control: NO
 Control panel: YES

Price 13.000€

NG40 Basic

Volume: 35kgs glass
 Fuel: Propane
 Pressure: 50 mmbar
 Gas consumption: 1-3kgs Propane per hour
 Voltage: 230 V, 50 Hz

Annealer: NO
 Flame Detection: NO
 Flame Ignition: NO
 Temperature control: NO
 Control panel: NO

Price 10.500€



NG40 Exclusive Automat Cooling

Volume: 35kgs glass
 Fuel: Propane
 Pressure: 50 mmbar
 Gas consumption: 1-3kgs Propane per hour
 Voltage: 230 V, 50 Hz

Annealer: YES
 Flame Detection: YES
 Flame Ignition: YES
 Temperature control: YES
 Control panel: YES

Price 16.500€

NG40 Exclusive Cooling

Volume: 35kgs glass
 Fuel: Propane
 Pressure: 50 mmbar
 Gas consumption: 1-3kgs Propane per hour
 Voltage: 230 V, 50 Hz

Annealer: YES
 Flame Detection: YES
 Flame Ignition: YES
 Temperature control: NO
 Control panel: YES

Price 15.650€

NG40 Basic Cooling

Volume: 35kgs glass
 Fuel: Propane
 Pressure: 50 mmbar
 Gas consumption: 1-3kgs Propane per hour
 Voltage: 230 V, 50 Hz

Annealer: YES
 Flame Detection: NO
 Flame Ignition: NO
 Temperature control: NO
 Control panel: NO

Price 13.150€

Hot Glass Furnaces



NG 120/E

Custom made to order.
Controller is operational via web
enabled application.

Natural Gas - Pot 55-66 litres
One or two burner solution - 160
-200 KW of power.
Hot air recuperation.

Electric (50 KW)
- 40-60 litres

Price on request.

Continuous belt cooling oven

Cooling belt utilises waste heat
from glass furnace with support
of small electrical voltage of 240V
Temp. controller: YES
Dimensions: 23 x 23 x 300 cm

Prices:

Version - manual moving belt
11.900€

Version - el. Engine, speed
regulation moving belt 13.400€



Burner Systems

All burner systems are custom made to your specific requirements the below table is a price guide. Final price will be dependent on your build design.

Power of the burner	40 - 90 kW	95 - 200 kW	205 - 300 kW
Basic version	3.000€	4.000€	5.000€
Exclusive version	5.000€	6.000€	7.000€
Full automat	6.500€	8.000€	9.500€

SUMMARY HEATINGS FOR FURNACES

POWER FROM 40kW TO 300kW

1st OFFER:

BASIC HEATING

- BURNER WITH REFRACTORY BRICK
- BASIC HEATING PIPE
- FAN
- ELECTRIC SWITCH

2nd OFFER:

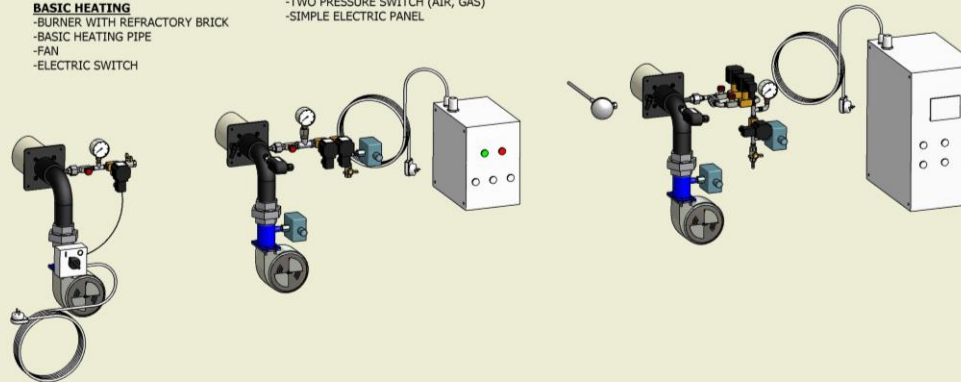
EXCLUSIVE HEATING

- BURNER WITH REFRACTORY BRICK
- UV DETECTOR
- ELECTRONIC IGNITION
- EXCLUSIVE HEATING PIPE
- FAN
- TWO PRESSURE SWITCH (AIR, GAS)
- SIMPLE ELECTRIC PANEL

3rd OFFER:

EXCLUSIVE HEATING WITH AUTOMATIC REGULATION

- BURNER WITH REFRACTORY BRICK
- UV DETECTOR
- ELECTRONIC IGNITION
- EXCLUSIVE HEATING PIPE
- FAN
- TWO PRESSURE SWITCH (AIR, GAS)
- THERMOCOUPLE
- ELECTRIC PANEL WITH CONTROLLER



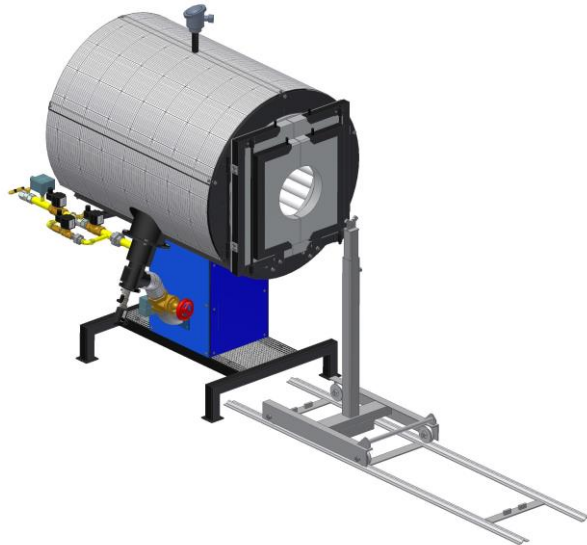
Glory Holes



Small glory hole NG 150

Fuel: Natural gas or Propane
Temperature control: NO
Control panel: NO
w 250 x d 200 x h 150 mm

Price: 3.800€



Glory hole NG 350 E

Fuel: Natural gas or Propane
Temperature control: YES
Control panel: YES
Safety shutoff valves: YES
Depth of camber: 65cm
Maximum Diameter of opening: 30cm
Diameter of opening in two doors:
18cm & 26cm (option to customise)

Price: 10.650 €

Glory hole NG 450 E

Fuel: Natural gas or Propane
Temperature control: YES
Control panel: YES
Safety shutoff valves: YES
Depth of camber: 65cm
Maximum Diameter of opening: 30cm
Diameter of opening in two doors: 18cm & 26cm
(option to customise)

Price: 12.050€

Hot Shop Accessories



PickUp oven NG30

Inside dimension:
300 (W) x 300 (D) x 280 (H) mm
Power: 3 kW
Temperature up to 600°C
Temperature controller

Price: 2.600€



Pipe heater NG50

Opening: 500 (W) x 100 (H) mm
External dimension:
750 (W) x 400 (D) x 1050 (H) mm
Linear burner
Fuel: Natural gas or propan

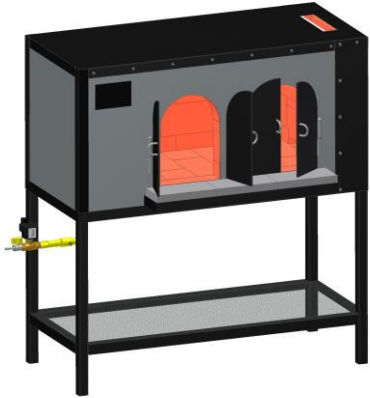
Price: 2.650€



Glassblowing Bench

1.200€

Hot Shop Accessories



Garage NG900

Inside dimension:

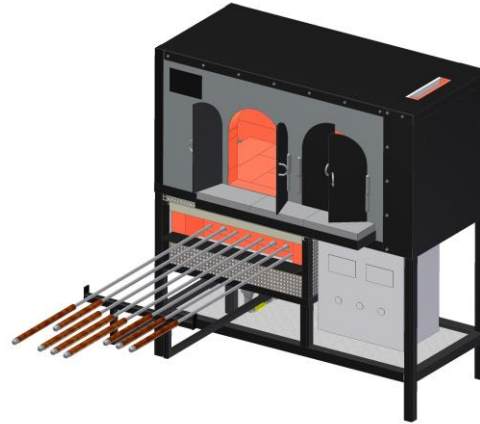
900 (W) x 400 (D) x 430 (H) mm

Two doors: 250 (W) x 350 (H) mm

Fuel: natural gas or propan

Safety shutoff valves: YES

Price: 8.500€

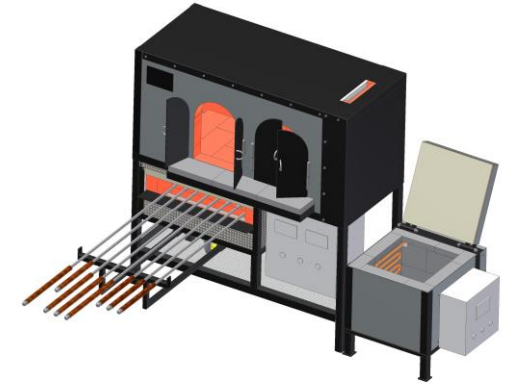


Kombo I

Garage NG900 +

Pipe heater NG50

Price: 11.000€



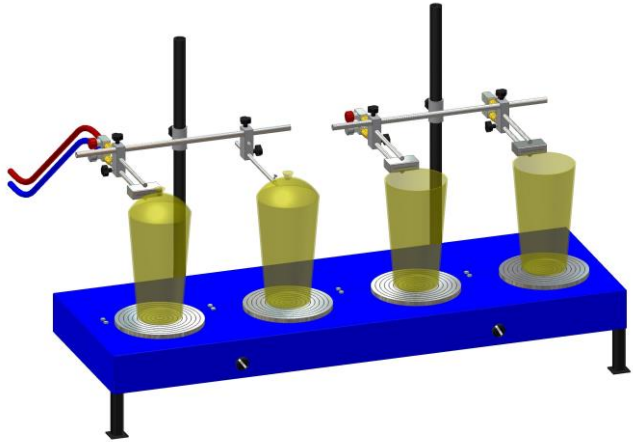
Kombo II

Garage NG900 +

Pipe heater NG50 + PickUp

Price: 13.500€

Other Tools & Equipment



Crack Off machine
Fire polishing machine

2 wheels: 4.150€

4 wheels: 5.250€



Wooden Tools

Niesenglas offers a range of wooden tools made from Beech and Pear wood. These include:

- Moulds
- Blocks
- Paddles
- Foot Tools etc.





Niesenglass Switzerland GmbH
Eichzun 4, 3800 Unterseen, Interlaken, Schweiz

Email: info@niesenglass.ch
Phone: [+41 33 654 30 00](tel:+41336543000)

www.niesenglass.ch